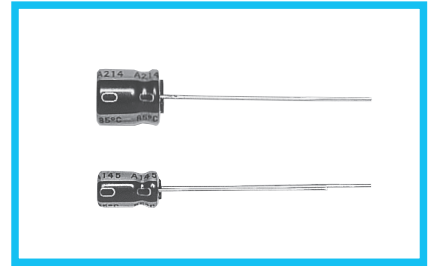
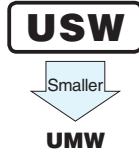


# ALUMINUM ELECTROLYTIC CAPACITORS

## USW 7mmL, For Audio Equipment



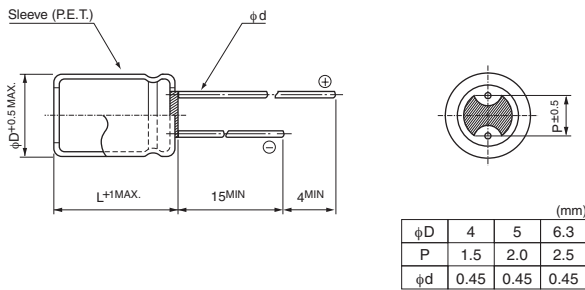
- Acoustic series, with 7mm height.
- Compliant to the RoHS directive (2011/65/EU,(EU)2015/863).



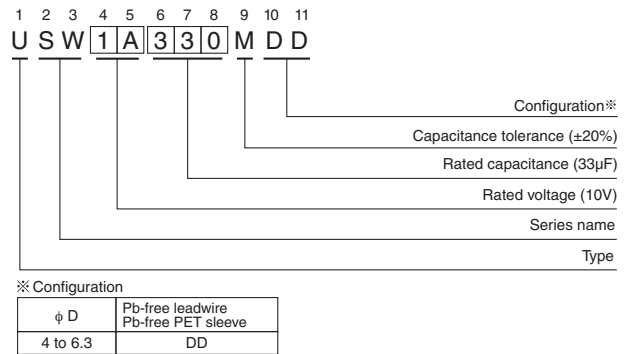
### Specifications

Item	Performance Characteristics						
Category Temperature Range	-40 to +85°C						
Rated Voltage Range	6.3 to 50V						
Rated Capacitance Range	1 to 220μF						
Capacitance Tolerance	±20% at 120Hz, 20°C						
Leakage Current	After 2 minutes' application of rated voltage at 20°C, leakage current is not more than 0.01CV or 3 (μA) , whichever is greater.						
Tangent of loss angle (tan δ)	Measurement frequency : 120Hz at 20°C						
	Rated voltage (V)	6.3	10	16	25	35	50
	tan δ (MAX.)	0.24	0.20	0.16	0.14	0.12	0.10
Stability at Low Temperature	Measurement frequency : 120Hz						
	Rated voltage (V)	6.3	10	16	25	35	50
	Impedance ratio (MAX.)	Z-25°C / Z+20°C	4	3	2	2	2
		Z-40°C / Z+20°C	8	6	4	4	3
Endurance	The specifications listed at right shall be met when the capacitors are restored to 20°C after the rated voltage is applied for 1000 hours at 85°C.						
	tan δ	200% or less than the initial specified value					
	Leakage current	Less than or equal to the initial specified value					
Shelf Life	After storing the capacitors under no load at 85°C for 1000 hours and then performing voltage treatment based on JIS C 5101-4 clause 4.1 at 20°C, they shall meet the specified values for the endurance characteristics listed above.						
Marking	Printed with black color letter on gold sleeve.						

### Radial Lead Type



### Type numbering system (Example : 10V 33μF)



### Frequency coefficient of rated ripple current

Frequency	50Hz	120Hz	300Hz	1kHz	10kHz or more
Coefficient	0.70	1.00	1.17	1.36	1.50

●Dimension table in next page.



## ■ Dimensions

Rated Voltage (V) (code)	Rated Capacitance (μF)	Case Size φD×L (mm)	tan δ	Leakage Current (μA) (at 20°C after 2 minutes)	Rated Ripple (mArms) (85°C/120Hz)	Part Number
6.3 (0J)	22	4×7	0.24	3	34	USW0J220MDD
	33	4×7	0.24	3	40	USW0J330MDD
	47	4×7	0.24	3	48	USW0J470MDD
	100	5×7	0.24	6.3	78	USW0J101MDD
	220	6.3×7	0.24	13.86	120	USW0J221MDD
10 (1A)	22	4×7	0.20	3	35	USW1A220MDD
	33	4×7	0.20	3.3	43	USW1A330MDD
	47	5×7	0.20	4.7	59	USW1A470MDD
	100	6.3×7	0.20	10	87	USW1A101MDD
16 (1C)	10	4×7	0.16	3	28	USW1C100MDD
	22	4×7	0.16	3.52	39	USW1C220MDD
	33	5×7	0.16	5.28	55	USW1C330MDD
	47	5×7	0.16	7.52	65	USW1C470MDD
	100	6.3×7	0.16	16	98	USW1C101MDD
25 (1E)	10	4×7	0.14	3	28	USW1E100MDD
	22	5×7	0.14	5.5	48	USW1E220MDD
	33	5×7	0.14	8.25	58	USW1E330MDD
	47	6.3×7	0.14	11.75	71	USW1E470MDD
35 (1V)	4.7	4×7	0.12	3	24	USW1V470MDD
	10	4×7	0.12	3.5	31	USW1V100MDD
	22	5×7	0.12	7.7	52	USW1V220MDD
	33	6.3×7	0.12	11.55	65	USW1V330MDD
50 (1H)	1	4×7	0.10	3	10	USW1H010MDD
	2.2	4×7	0.10	3	19	USW1H2R2MDD
	3.3	4×7	0.10	3	24	USW1H3R3MDD
	4.7	4×7	0.10	3	28	USW1H4R7MDD
	10	5×7	0.10	5	38	USW1H100MDD
	22	6.3×7	0.10	11	58	USW1H220MDD

For cut leads, formed leads or taped parts, please add the appropriate code after the size code (12th digit).  
 If there is no size code in the part number, please add size code "1" and then add the appropriate code.

Please refer to page 18, 19 about the formed or taped product spec.  
 Please refer to page 4 for the minimum order quantity.

# Mouser Electronics

Authorized Distributor

Click to View Pricing, Inventory, Delivery & Lifecycle Information:

## Nichicon:

[USW0J101MDD](#) [USW0J220MDD](#) [USW0J221MDD](#) [USW0J330MDD](#) [USW0J470MDD](#) [USW1A101MDD](#)  
[USW1A220MDD](#) [USW1A330MDD](#) [USW1A470MDD](#) [USW1C100MDD](#) [USW1C101MDD](#) [USW1C220MDD](#)  
[USW1C330MDD](#) [USW1C470MDD](#) [USW1E100MDD](#) [USW1E220MDD](#) [USW1E330MDD](#) [USW1E470MDD](#)  
[USW1H010MDD](#) [USW1H100MDD](#) [USW1H220MDD](#) [USW1H2R2MDD](#) [USW1H3R3MDD](#) [USW1H4R7MDD](#)  
[USW1HR22MDD](#) [USW1HR33MDD](#) [USW1HR47MDD](#) [USW1V100MDD](#) [USW1V220MDD](#) [USW1V330MDD](#)  
[USW1V4R7MDD](#) [USW1HOR1MDD](#) [USW1H0R1MDD](#) [USW1E470MDD1TE](#) [USW1A101MDD1TP](#)  
[USW1E470MDD1TP](#) [USW1H100MDD1TE](#) [USW0J470MDD1TE](#) [USW1V220MDD1TP](#) [USW1C101MDD1TE](#)  
[USW1V330MDD1TP](#) [USW1H3R3MDD1TE](#) [USW1H220MDD1TE](#) [USW0J221MDD1TP](#) [USW0J330MDD1TP](#)  
[USW1H010MDD1TE](#) [USW1H220MDD1TP](#) [USW1V4R7MDD1TP](#) [USW0J220MDD1TP](#) [USW1A330MDD1TP](#)  
[USW1E100MDD1TE](#) [USW1E100MDD1TP](#) [USW1V4R7MDD1TE](#) [USW1V330MDD1TE](#) [USW1H4R7MDD1TP](#)  
[USW1H010MDD1TP](#) [USW1E220MDD1TE](#) [USW1C470MDD1TP](#) [USW1C470MDD1TE](#) [USW1C220MDD1TP](#)  
[USW1A470MDD1TP](#) [USW1A101MDD1TE](#) [USW0J221MDD1TE](#) [USW0J220MDD1TE](#) [USW0J101MDD1TP](#)  
[USW0J101MDD1TE](#) [USW1C220MDD1TE](#) [USW1H100MDD1TP](#) [USW1A220MDD1TP](#) [USW1C100MDD1TE](#)  
[USW1V220MDD1TE](#) [USW1A330MDD1TE](#) [USW1H3R3MDD1TP](#) [USW1C100MDD1TP](#) [USW1C101MDD1TP](#)  
[USW1A470MDD1TE](#) [USW1E330MDD1TP](#) [USW1E330MDD1TE](#) [USW1C330MDD1TE](#) [USW1C330MDD1TP](#)  
[USW1V100MDD1TP](#) [USW1V100MDD1TE](#) [USW1E220MDD1TP](#) [USW0J470MDD1TP](#) [USW1H2R2MDD1TE](#)  
[USW0J330MDD1TE](#) [USW1A220MDD1TE](#) [USW1H2R2MDD1TP](#) [USW1H4R7MDD1TE](#)